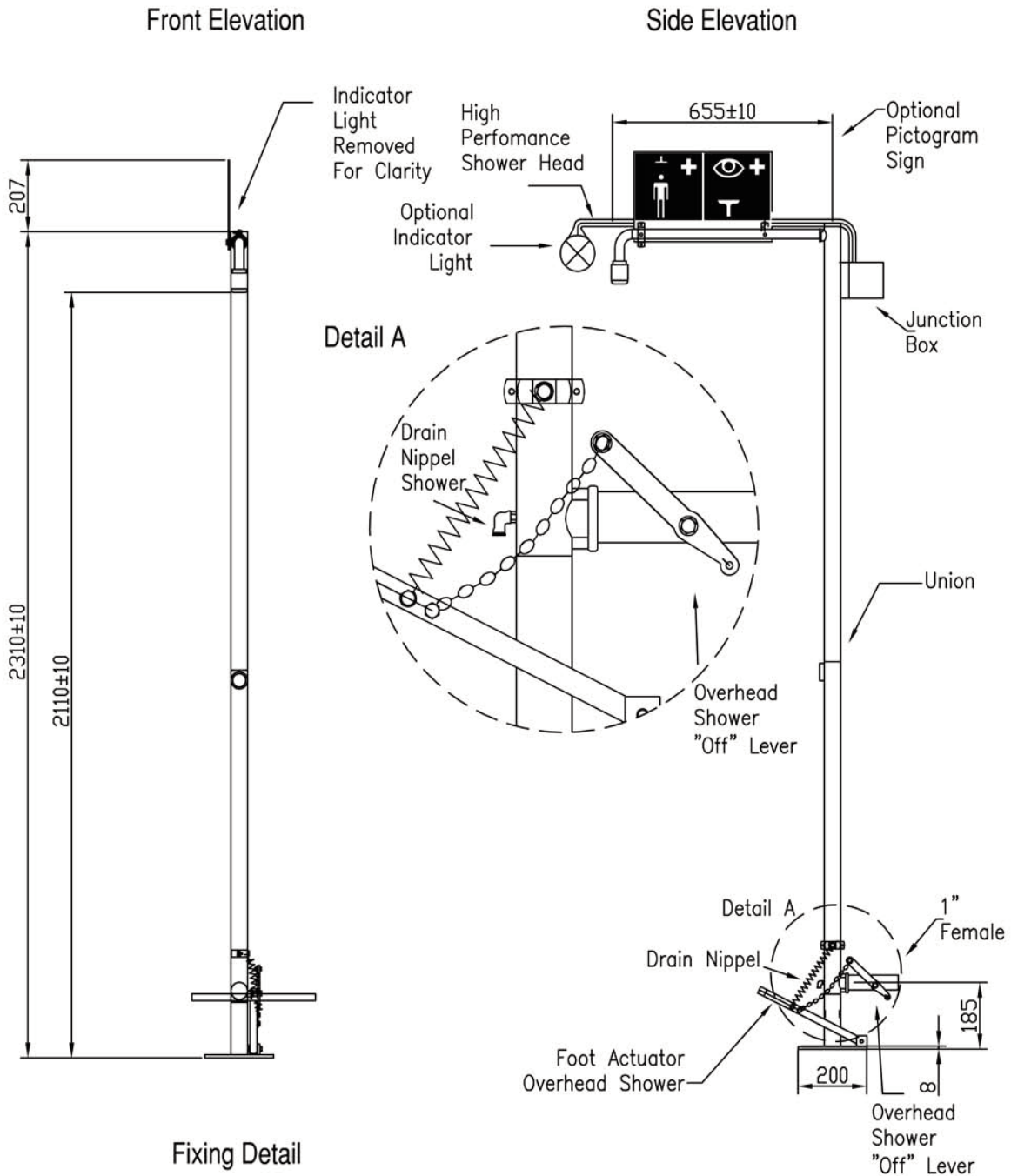


not to Scale



**Fixing Detail**

