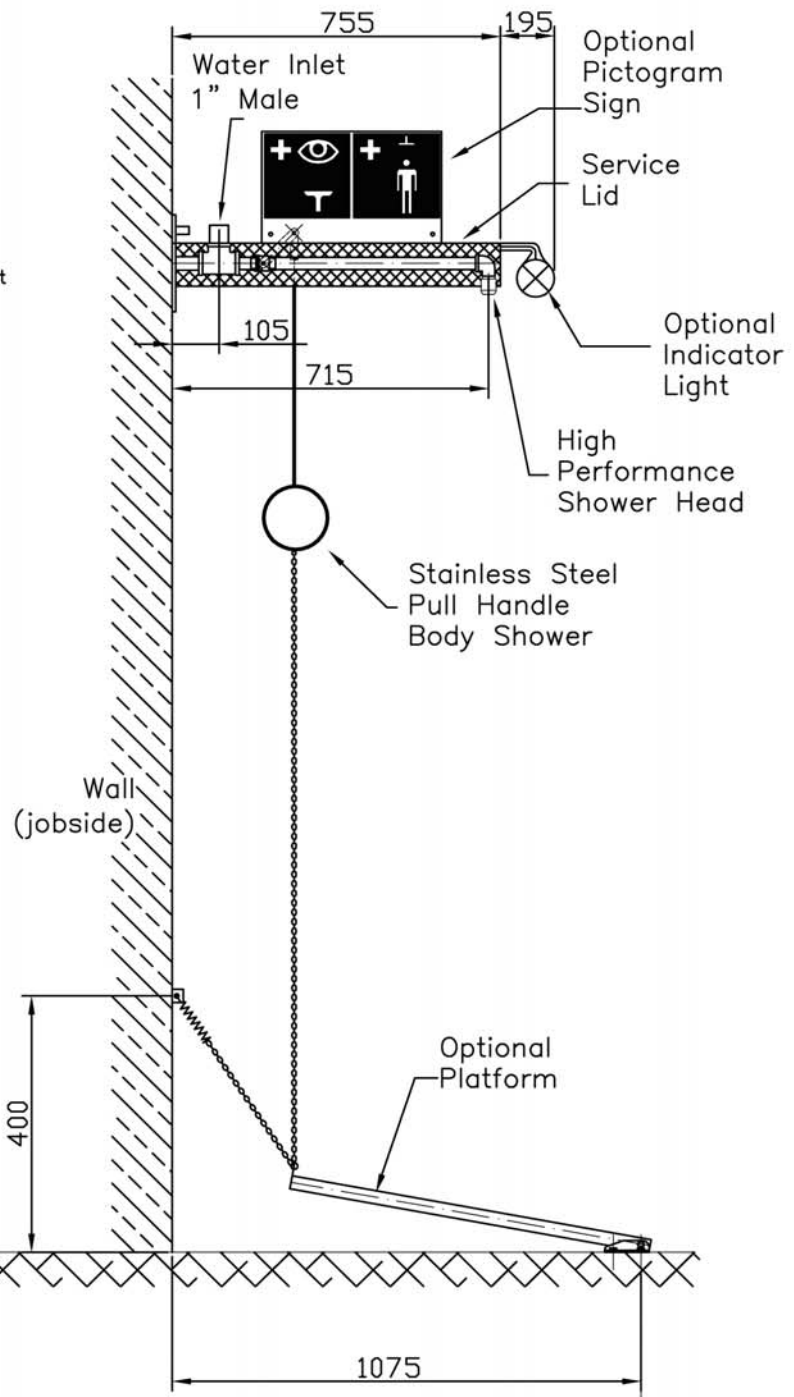
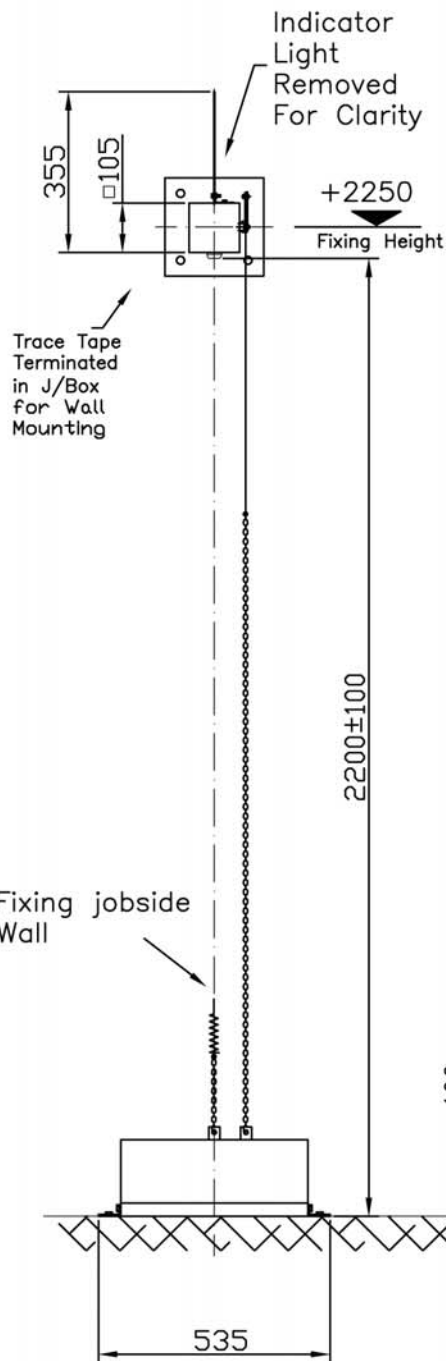


not to Scale

Front Elevation

Side Elevation



Fixing Detail

